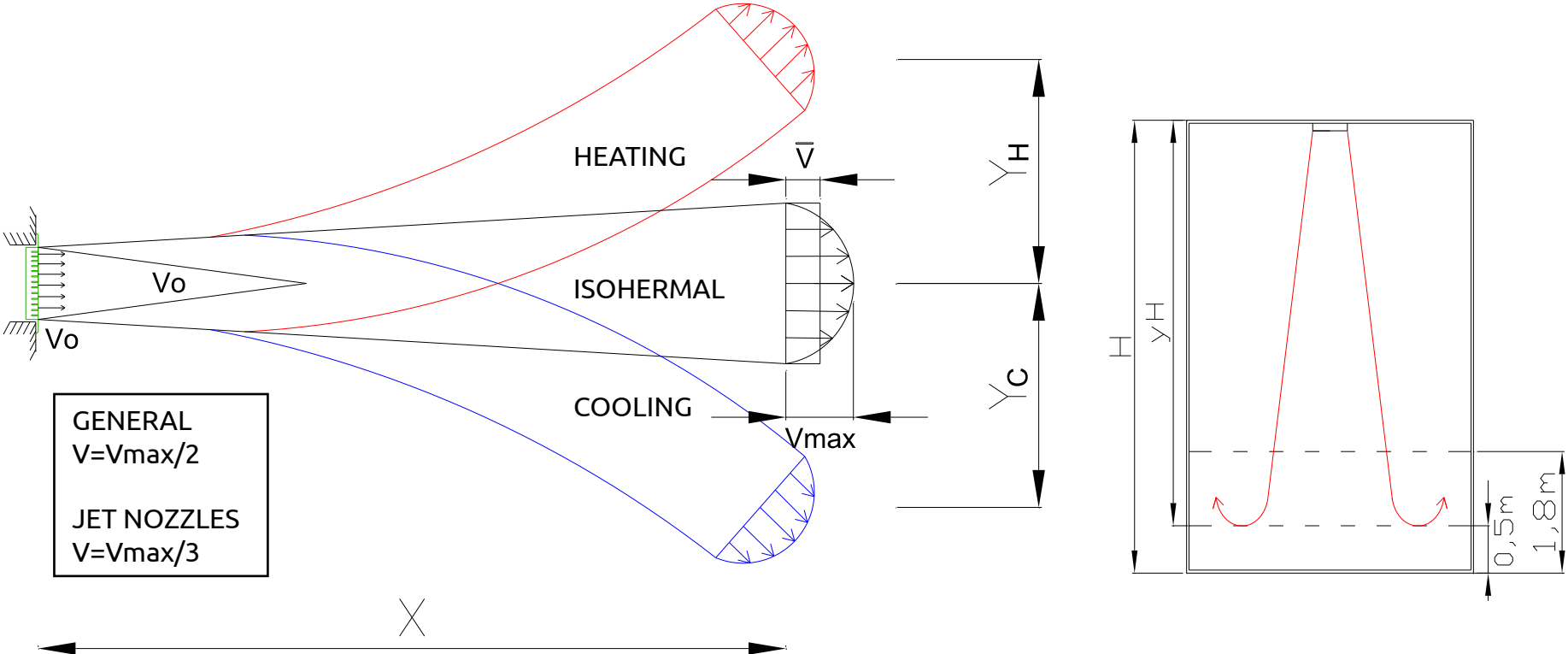
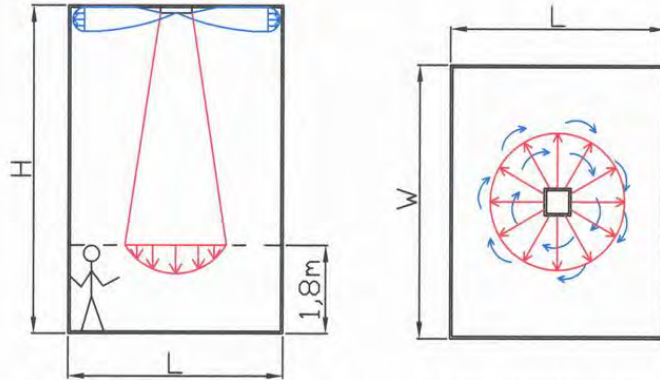


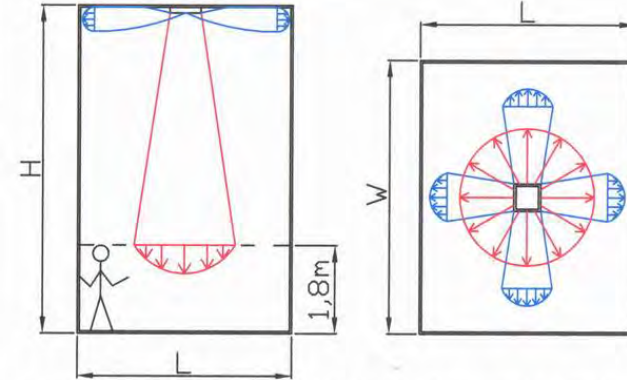
# AIR JET CHARACTERISTICS



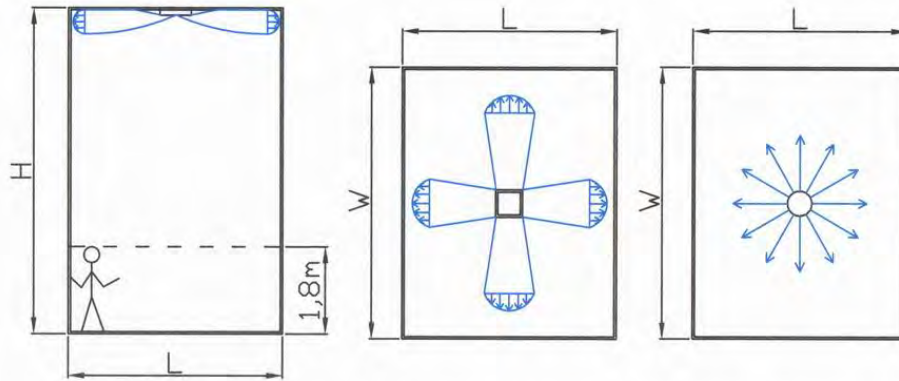
# CEILING DIFFUSERS



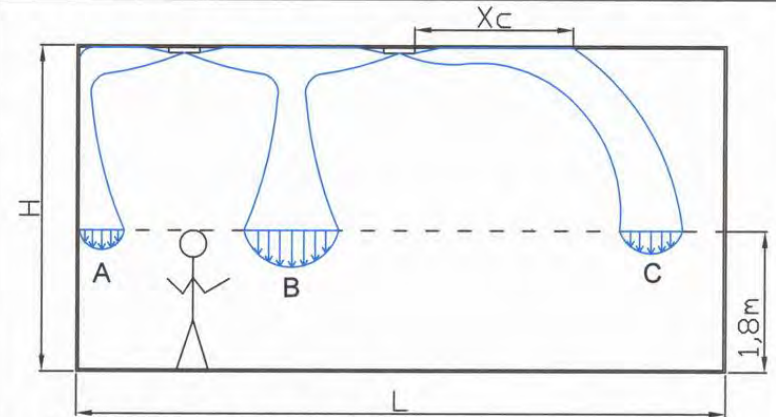
Adjustable square/rectangular/round ceiling swirl diffuser (GR, MLD)



1-4 way rectangular/square adjustable ceiling diffuser  
(OK1-4, GR-O4, GR-OK4, GR-YB)

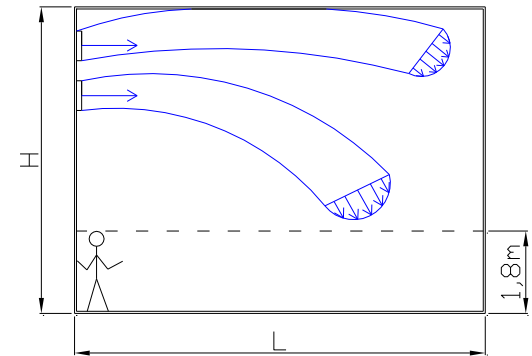
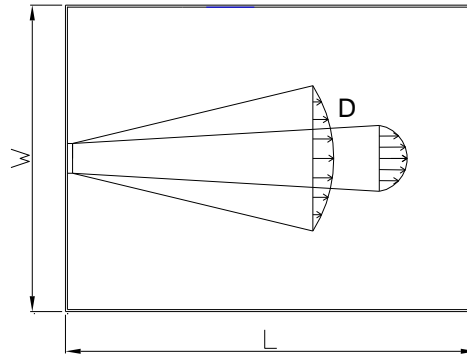
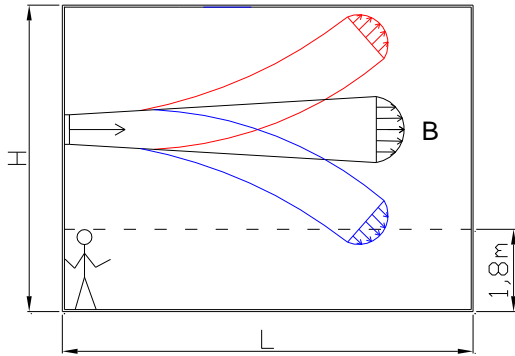


1-4 way rectangular/square (O1-4) or round (RF)  
non adjustable ceiling diffuser (Anemostat)



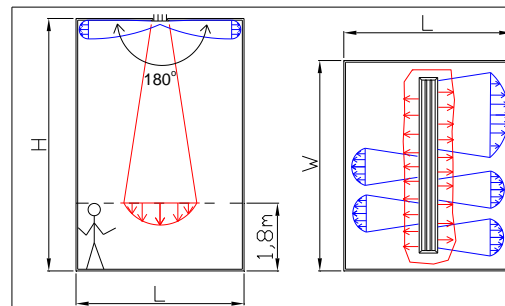
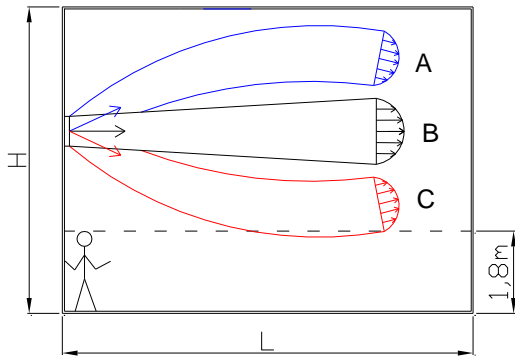
A: Wall impinging air jet  
B: Air jet combination  
C: Coanda effect

# WALL, FLOOR GRILLES AND SLOT DIFFUSERS

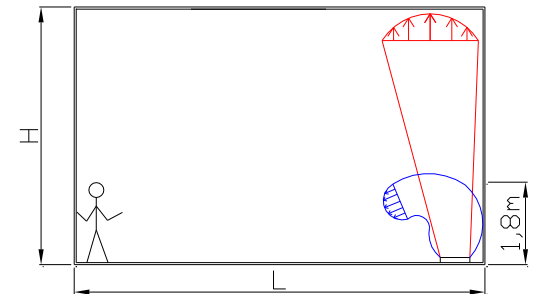


COANDA EFFECT

**A,B and C:** T1P, T2P, AMB (except -O), S, SL, TPA  
**B only:** E-12, E-17, AMB-O  
**A or C:** E12-15°, E17-15°  
**D:** T2P, AMB-AP, E12(-15°)-T1K, E17(15°)-T1K



ADJUSTABLE SLOT DIFFUSERS S,SL



FLOOR DIFFUSER BT