

# RETURN AIR GRILLES - B SERIES -

This grille type is designed to operate with gravity. **(B)**.



This type of grilles is used for air exhaust to outer spaces. Electrostatic painting in a variety of colors is available. They are manufactured at any size. The figure below shows the B series air grilles dimensions. Their nominal width A- and height B- are necessary to define their operating data.

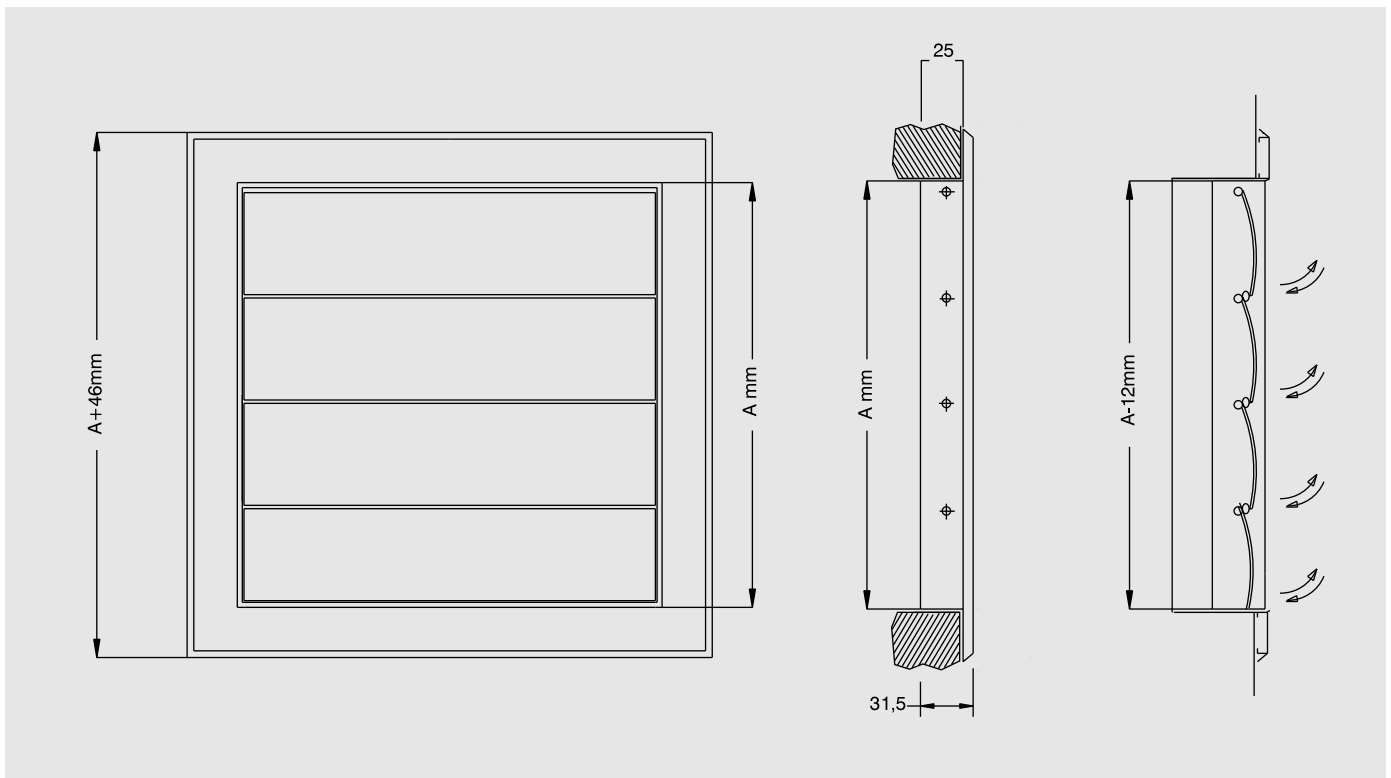
## Technical description - General

Air grilles of B series are manufactured having a series of horizontal freely moving blades. Anodized aluminum profile of 12 μm anodic depth is used for their construction providing long life. Their technical characteristics are : Flow rate : ... [m<sup>3</sup>/h], Pressure drop : ... [Pa], Noise level : ... [dBA].

They are used in cases where isolation of the ventilating system from the exterior is required. This situation arises when the system is not operating, with the grille blades resting at a vertical position, not permitting the entrance of leaves, birds, etc. in the ventilation ducts. While the system is operating, the blades rest at a position with a certain angle to the horizontal depending on the air flow.

## Selection of B series grilles

Since B series air grilles are air-exhausting grilles, their selection parameters are pressure drop, air velocity at the grille and noise level. The following diagrams are used for their selection.



## ORDER GUIDELINES

A series of numbers and letters is used to order B series grilles. The characteristics of the air grille are defined according to the coding below.

The order example corresponds to a B series air grille of nominal dimensions 400X200 mm, equipped with a net, without volumetric flow-rate regulating damper and without filter with color.

